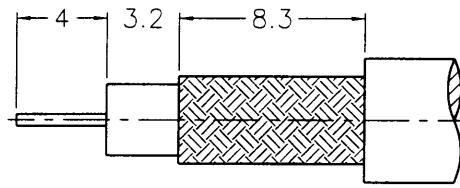
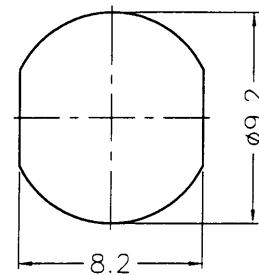


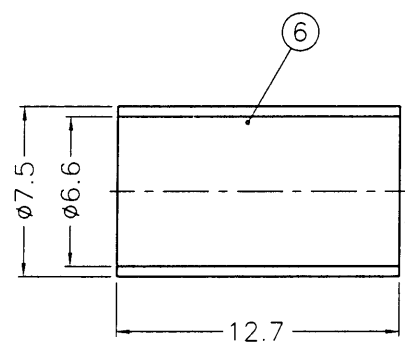
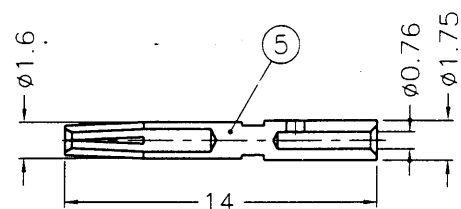
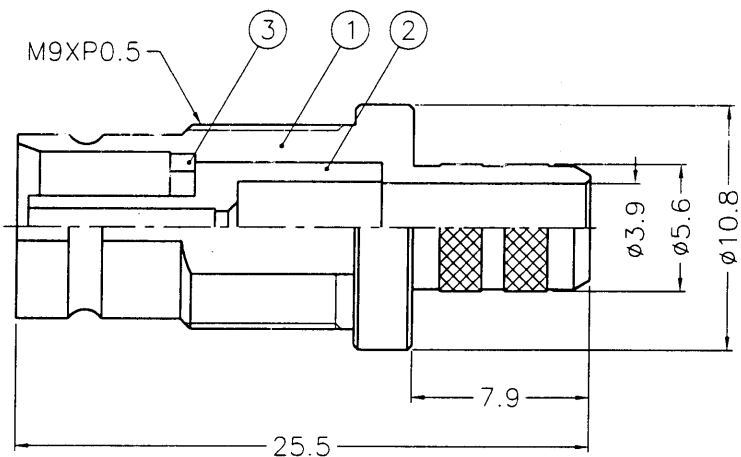
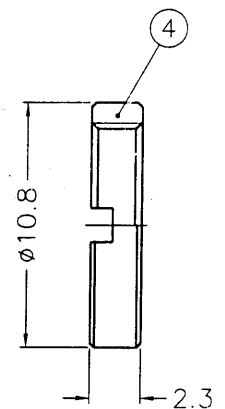
REVISIONS		
ISS	ZONE	DESCRIPTION\PER REQUEST\DATE



RECOMMENDED  
CABLE STRIPPING DIM'S



RECOMMENDED  
MOUNTING HOLE



- NOTES: FINISH (PLATING THICKNESS IN MICRO-INCHES)
- BRASS PER QQ-B-626
  - NICKEL PL. 100 MIN. THICK OVER COPPER STRIKE
  - PHOSPHOR BRONZE PER QQ-B-750
  - GOLD PL. 3 MIN. THICK OVER NICKEL PL. 100 MIN. THICK OVER COPPER STRIKE
  - TEFLON MIL-P-19468
  - JIS H 3250, C 2700



NO.	DESCRIPTION	MATERIAL	FINISH	Q'TY	DRAWING NO.	SCALE	3/1	ISSUE	A	PART NO.	APPROVED	DATE	TITLE
6	FERRULE	NOTE 6	NOTE 2	1	FR-75/66X127	DIMENSIONS ARE IN MILLIMETERS				UNLESS OTHERWISE SPECIFIED TOLERANCES 0.5-6 = ±0.2 6-30 = ±0.4 30-120 = ±0.6 120-315 = ±1 315-1000 = ±1.6 1000-2000 = ±2.4	APPROVED <i>Mark C</i> DATE 02-11-99' CHECKED <i>Mark C</i> DATE 02-11-99' DRAWN <i>Shaly. w</i> DATE 02-11-99'	KAI JACK INDUSTRIAL CO., LTD. TAINAN TAIWAN R.O.C.	1.6/5.6 CRIMP JACK DRAWING NO. KJ-1566421A1-N/3GT3G-59U-75 FILE NO. F:\DWG\156\6421A1\59U-75\N3GT3G
5	CONTACT PIN	NOTE 3	NOTE 4	1	1566421A1-5-175/076								
4	NUT	NOTE 1	NOTE 2	1	RN108-9-05X23S								
3	LOCK RING	NOTE 1	NOTE 4	1	S931-750-3								
2	INSULATOR	NOTE 5	NATURAL	1	1566421A1-3T-75								
1	BODY	NOTE 1	NOTE 4	1	1566421A1-1-56/39								